

# Western Integrated Materials, Inc.

## Door Frame Installation Instructions

1. Frames are fabricated to exact width specified and no clearance is built in.
2. Rough opening should be 1-1/2" wider than the desired width, 3/4" over in height.
3. Determine high side of floor and cut jambs to the required height. Be sure mute is pushed to top of jamb before cutting.
4. Check opening for proper swing, then slip header over the wall. (Fig. 1)
5. Hold jambs at an angle and slip the upper portion over the wall. Push upward to engage notch with door stop on header, then push the rest of the jamb over the wall. (Fig. 2)

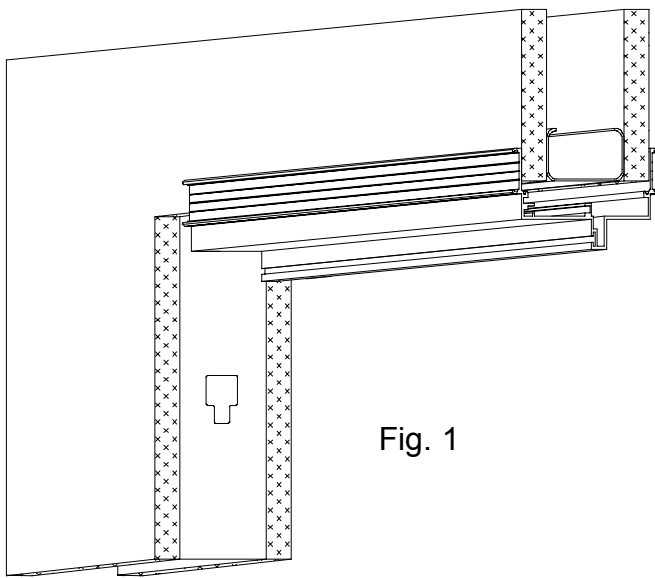


Fig. 1

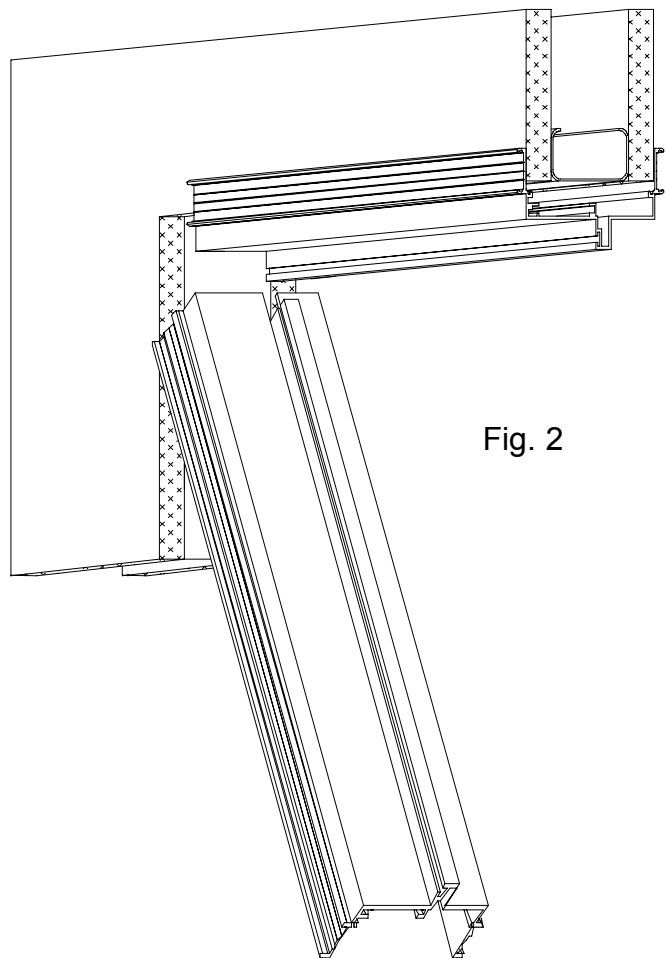
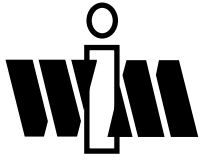


Fig. 2

6. Slide butt jamb down to finished floor. If carpet is to be laid, the base on which it is to be laid shall be considered the finished floor. For other floor coverings, (tile, etc.) the jamb should rest on removable spacers the same thickness as the flooring to be used.
7. Plumb butt side and secure to wall.



# Western Integrated Materials, Inc.

8. If door is premortised, hang prefit door and close into opening.
  - a.) If doors are not premortised, then use a square to attain a  $90^\circ$  corner between head & jambs. Head must butt up to vertical edge of clip (Fig. 3) and set flat in alignment groove (Fig. 4). You can then attach clips.
  - b.) Secure head to wall.
  - c.) Use same procedure for strike jamb.
9. Pull header down to door, allowing 1/8" spacing. Install corner clips (Fig. 3 & 4) and secure to wall.
10. Pull strike jamb into position and align with corner clips and door edge. Secure to wall.
11. If required, cut trim to length and, if necessary, make required notch at top of trim for clearance of clip and/or trim legs. Install trim. Trim should fit snugly. If there is any tendency to rattle, give full length a slight twist before installing.

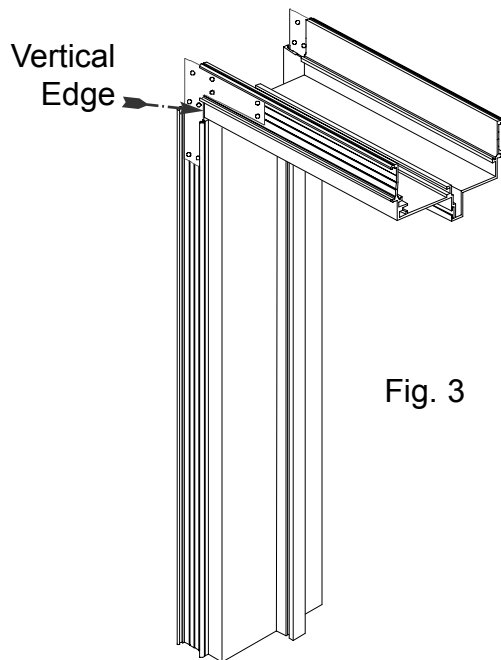


Fig. 3

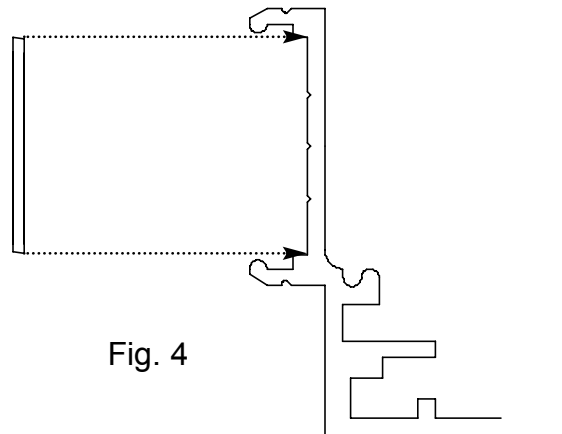
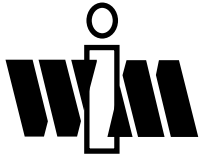


Fig. 4

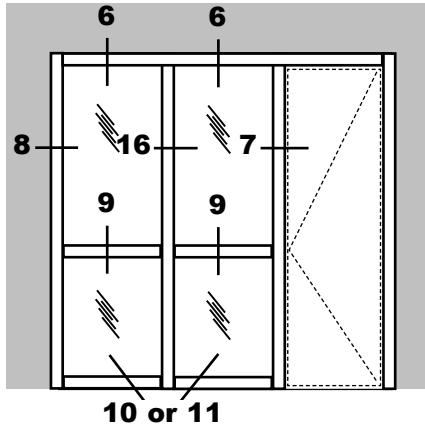
S-76 Clip Alignment Groove

- CLEANING:** If necessary to clean the aluminum, use water with a mild detergent. No abrasive agents should be used.
- FASTENING:** Corner Clips (S-76) - 4 per frame.  
Use 1-1/2" #6 drywall screws (supplied by others). (4 per clip - 16 per frame)
- FASTENING DOOR FRAME:** Use 1-1/2" drywall screws (supplied by others). Screws should penetrate studs 1/2". Screw 2" from each end - 12" o.c. minimum.

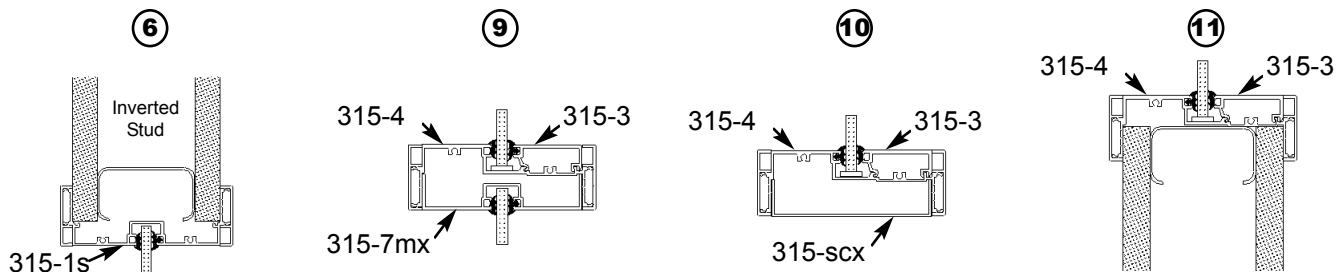
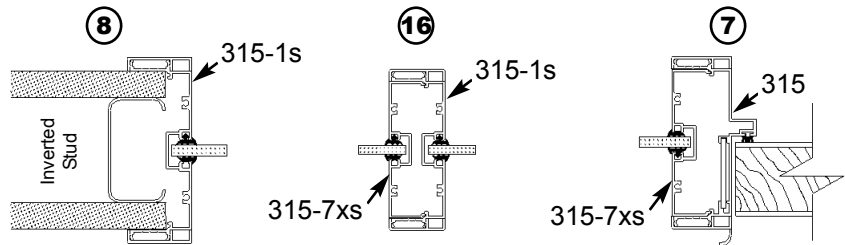


# Western Integrated Materials, Inc.

## Full Height to Drywall Sidelight Installation Instructions



**Special Note:** The stud at details 6 and 8 must be inverted so that the glass pocket will clear.

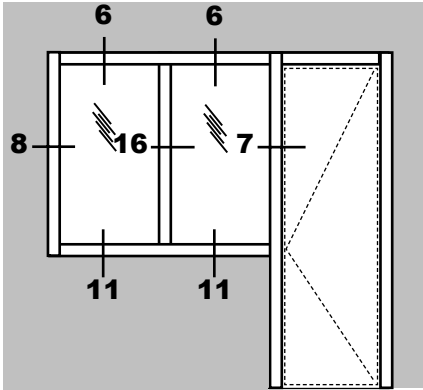


1. Install door frame as per door frame installation instructions omitting the S-76 clips in the corner adjacent to the sidelight.
2. Measure rough opening and cut verticals and glazing header to size. (see Fig. 1) Determine horizontal daylight opening dimensions and cut horizontal mulls and sill to daylight opening dimensions.
3. Pull vinyl into one side of each glazing section having a vinyl pocket. Ensure vinyl is faced correctly.
4. Install reglet into door frame jamb on the sidelight side and screw the two together every 12" o.c.
5. Align sidelight head with the door frame head and join together with a mullion clip each side. (see Fig.1) Bring the door frame/reglet jamb up under where the two heads meet. Align edge of clip with seam where the headers meet and check door opening for correct width. Fasten with mullion clips each side. (see Fig. 1)
6. Install the sidelight jamb, (see detail 8), by pushing it up beside the header. The vertical jambs all go to the floor. If there are vertical mullions, put them in the desired location and attach with mullion clips at the top. (see Fig. 1) Install floor track between the door frame/reglet jamb and the sidelight jamb or, if using vertical mulls, install between door frame/reglet jamb and vertical mull and between vertical mull and sidelight jamb. Place the sill over the floor track and secure with screws. Fasten the ends of the sill to the jambs with mullion clips. (see Fig. 1)
7. If there are horizontal muntins, put them at the desired height between the vertical mullions and fasten to vertical mullions with mullion clips at both ends. (see Fig. 1)
8. Make sure all sections are level and that the door frame and all components are level and square. Secure all around with drywall screws 12" o.c.
9. Install glass. If the sidelight is fire rated it will be reinforced with a steel channel at the door frame/ sidelight reglet. Install glass using silicone, then snap on the trim.
10. If sidelight is non-rated, roll in the vinyl and snap on the trim.



# Western Integrated Materials, Inc.

## Partial Height to Drywall Sidelight Installation Instructions



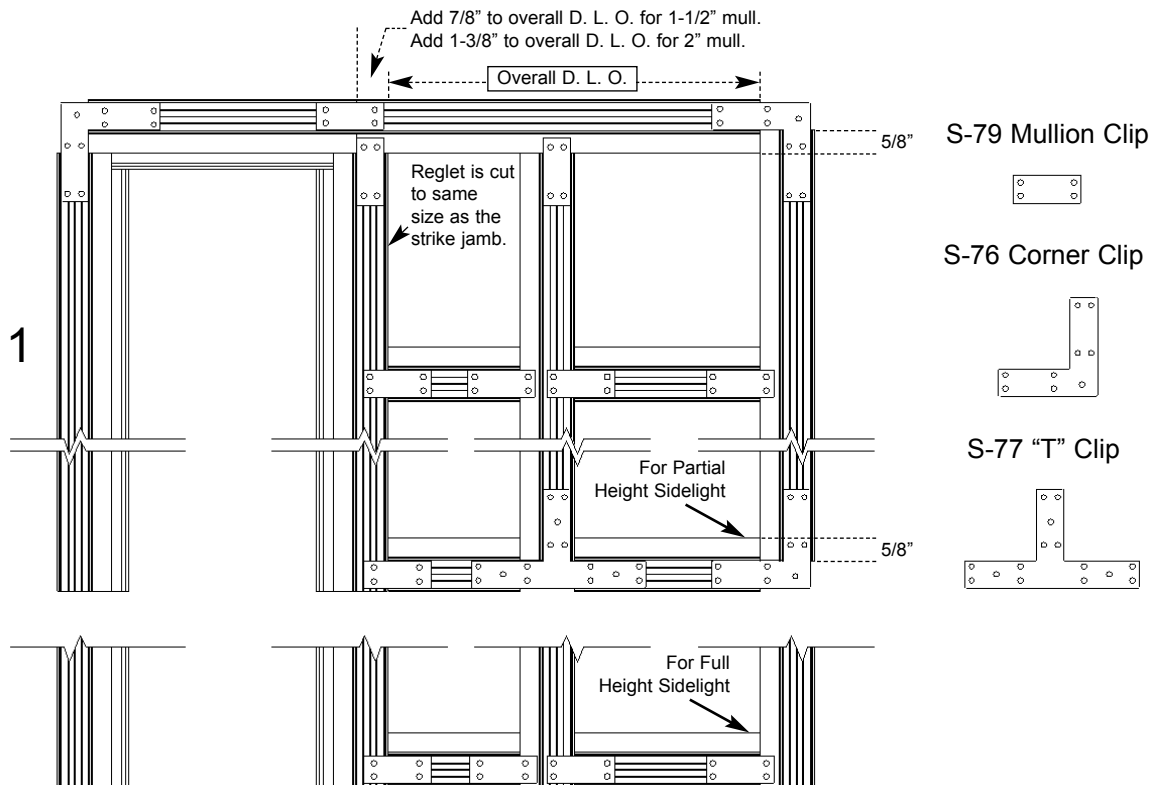
**See details on other side.**

1. Install door frame as per door frame installation instructions omitting the S-76 clips in the corner adjacent to the sidelight.
2. Pull vinyl into one side of each glazing section having a vinyl pocket.
3. Align sidelight head with the door frame head and join together with a mullion clip each side. (see Fig. 1)
4. Install reglet into door frame jamb on the sidelight side and screw the two together every 12" o.c.
5. Install sidelight jamb and push up beside the sidelight head.

Align top and bottom with S-76 corner clips placed in the trim bead of the vertical and horizontal sections. (see Fig. 1) Fasten the jamb with a few screws to hold in place.

6. If there are vertical mullions, put them in place and attach with mullion clips at top. (see Fig. 1)
7. Install the sill section(s) over the stub wall and fasten with clips and screws every 12" o.c. (see Fig. 1)
8. Make sure all sections are level and square and secure all around the unit with screws placed every 12" o.c.
9. If there are horizontal muntins, put them at the desired height and fasten with mullion clips at both sides. (see Fig. 1)
10. Install glass, put the snap-on section in place, roll in vinyl and snap the trim all around the unit.

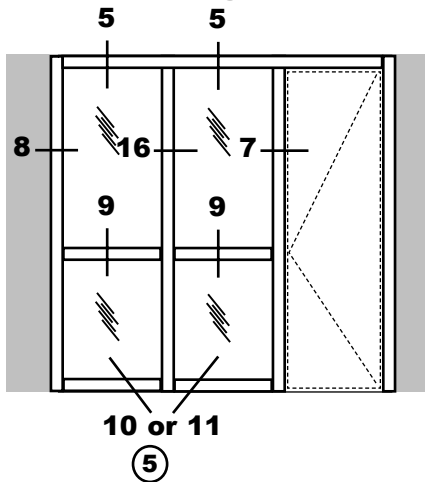
Fig. 1



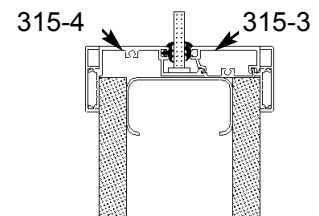
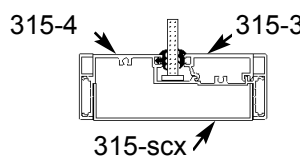
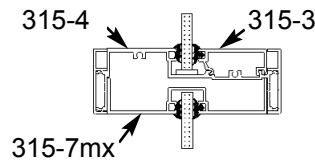
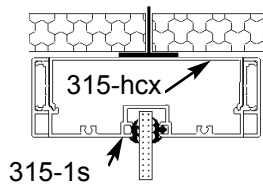
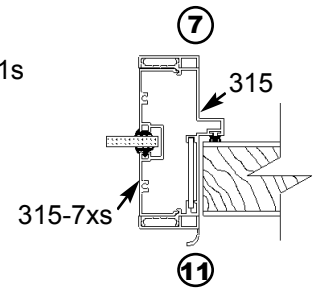
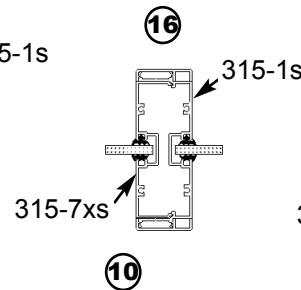
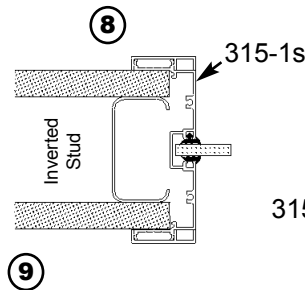


# Western Integrated Materials, Inc.

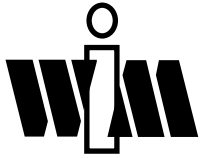
## Full Height to Ceiling Grid Sidelight Installation Instructions



**Special Notes:** The stud at detail 8 must be inverted so that the glass pocket will clear. Before installation of frame and glazing material, ensure that the ceiling grid is level and that the head channel is level and square.



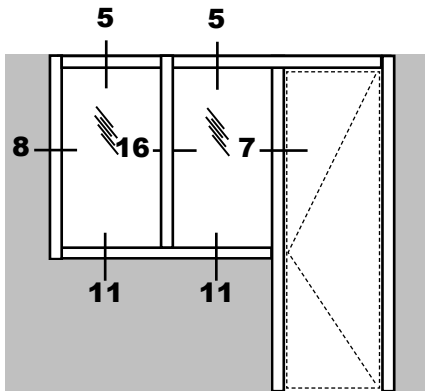
1. Install door frame as per door frame installation instructions omitting the S-76 clips in the corner adjacent to the sidelight.
2. Measure rough opening and cut verticals and glazing header to size. (see Fig. 1) Determine horizontal daylight opening dimensions and cut horizontal mullions and sill to daylight opening dimensions.
3. Pull vinyl into one side of each glazing section having a vinyl pocket. Ensure vinyl is faced correctly.
4. Install reglet into door frame jamb on the sidelight side and screw the two together every 12" o.c.
5. Align sidelight head with the door frame head and join together with a mullion clip each side. (see Fig. 1) Bring the door frame/reglet jamb up under where the two heads meet. Align edge of clip with seam where the headers meet and check door opening for correct width. Fasten with mullion clips each side. (see Fig. 1)
6. Install the sidelight jamb, (see detail 8), by pushing it up beside the header. The vertical jambs all go to the floor. If there are vertical mullions, put them in the desired location and attach with mullion clips at the top. (see Fig. 1) Install floor track between the door frame/reglet jamb and the sidelight jamb or, if using vertical mullions, install between door frame/reglet jamb and vertical mullion and between vertical mullion and sidelight jamb. Place the sill over the floor track and secure with screws. Fasten the ends of the sill to the jambs with mullion clips. (see Fig. 1)
7. If there are horizontal muntins, put them at the desired height between the vertical mullions and fasten to vertical mullions with mullion clips at both ends. (see Fig. 1)
8. Make sure all sections are level and that the door frame and all components are level and square. Secure all around with drywall screws 12" o.c.
9. Install glass. If the sidelight is fire rated it will be reinforced with a steel channel at the door frame/sidelight reglet. Install glass using silicone, then snap on the trim.
10. If sidelight is non-rated, roll in the vinyl and snap on the trim.



# Western Integrated Materials, Inc.

## Partial Height to Ceiling Grid Sidelight Installation Instructions

See details on other side.

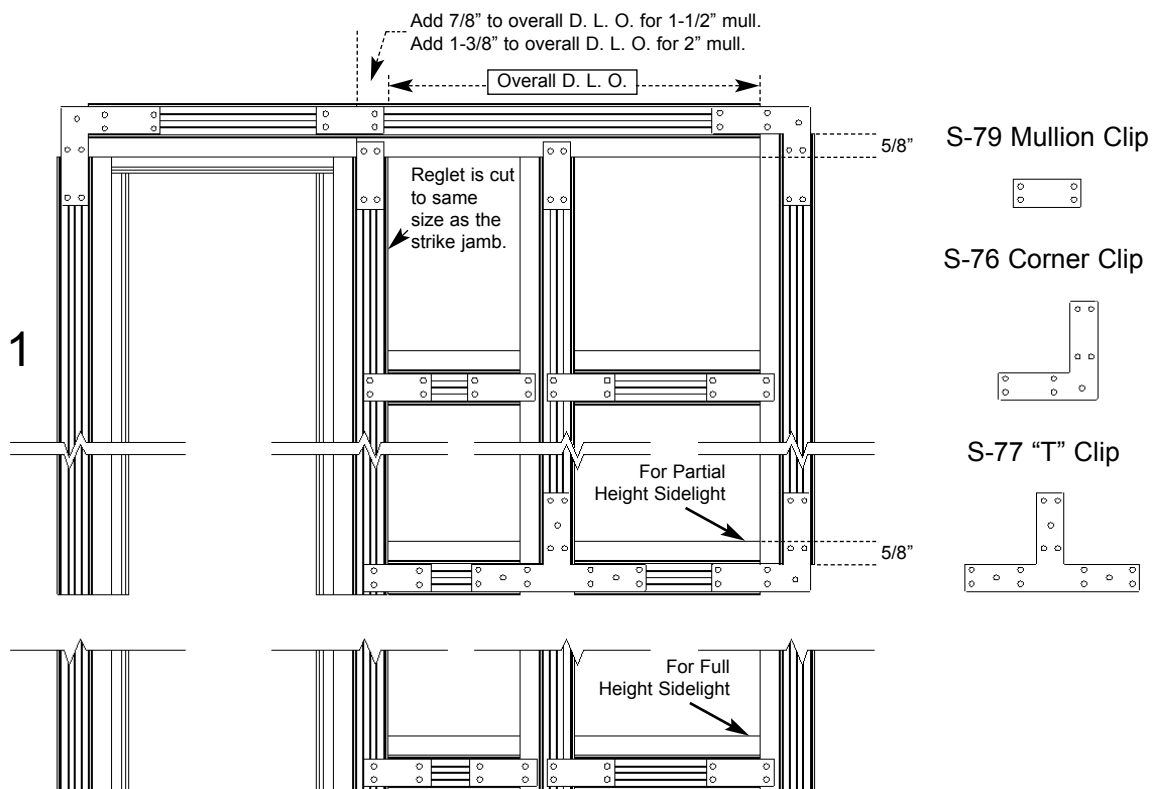


1. Install door frame as per door frame installation instructions omitting the S-76 clips in the corner adjacent to the sidelight.
2. Pull vinyl into one side of each glazing section having a vinyl pocket.
3. Align sidelight head with the door frame head and join together with a mullion clip each side. (see Fig. 1)
4. Install reglet into door frame jamb on the sidelight side and screw the two together every 12" o.c.
5. Install sidelight jamb and push up beside the sidelight head.

Align top and bottom with S-76 corner clips placed in the trim bead of the vertical and horizontal sections. (see Fig. 1) Fasten the jamb with a few screws to hold in place.

6. If there are vertical mullions, put them in place and attach with mullion clips at top. (see Fig. 1)
7. Install the sill section(s) over the stub wall and fasten with clips and screws every 12" o.c. (see Fig. 1)
8. Make sure all sections are level and square and secure all around the unit with screws placed every 12" o.c.
9. If there are horizontal muntins, put them at the desired height and fasten with mullion clips at both sides. (see Fig. 1)
10. Install glass, put the snap-on section in place, roll in vinyl and snap the trim all around the unit.

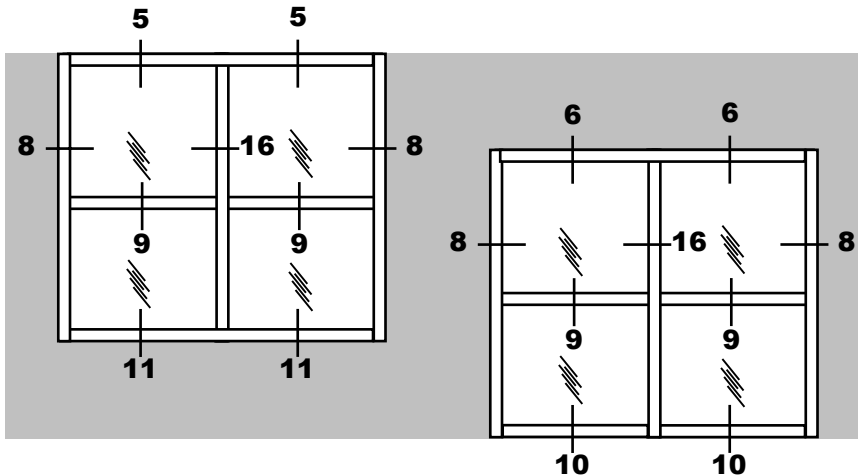
Fig. 1





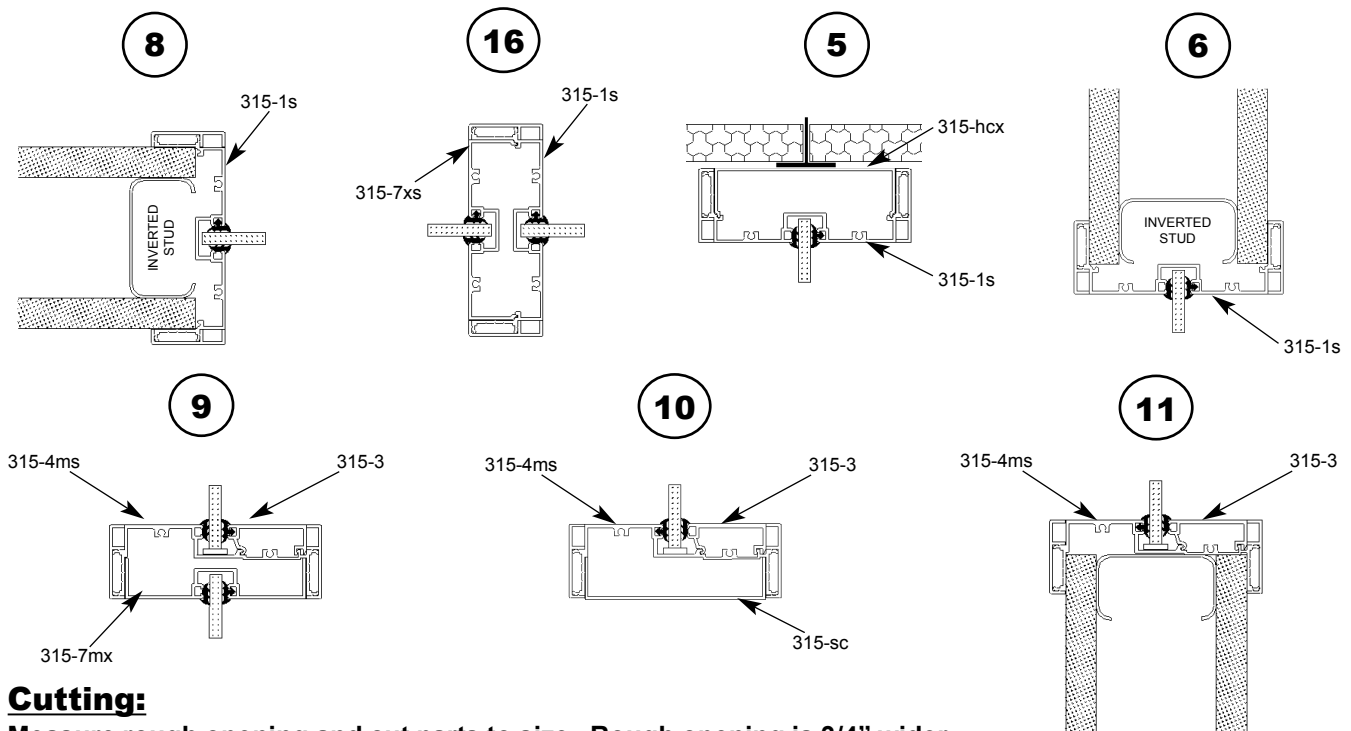
# Western Integrated Materials, Inc.

## Borrowed Light Installation Instructions



**Special Note:** If installing to ceiling grid (detail 5) ensure that the ceiling grid is level and that the head channel is level and square before installing glazing material.

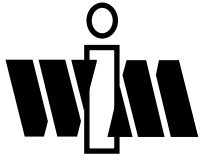
**DO NOT SECURE FRAME UNTIL ALL PARTS ARE SET IN PLACE.**



### Cutting:

Measure rough opening and cut parts to size. Rough opening is 3/4" wider per side. Horizontal mulls and sill are cut to daylight opening dimensions.

1. Start jamb over wall at head and swing bottom into place.
2. Repeat with second jamb.
3. Push head up over wall.
4. If included - now install vertical mullion. This is done by placing mullion at head in desired position and swinging bottom into place.
5. If going to floor, cut sill channel to size and install.
6. Set sill over wall or sill channel, level and secure in place.



# Western Integrated Materials, Inc.

Fig. 1

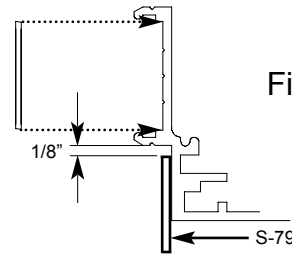
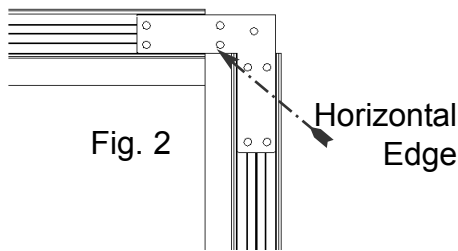
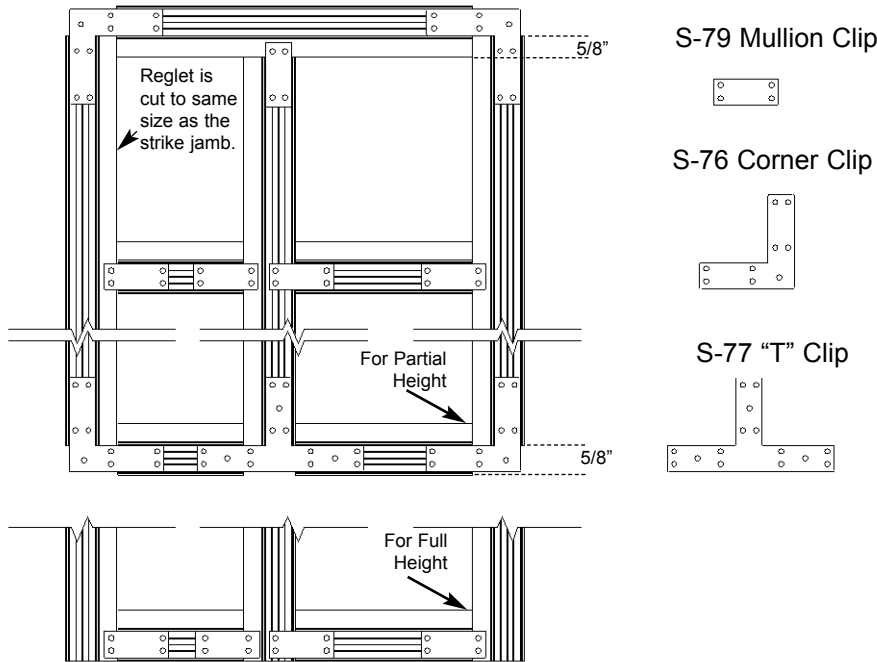


Fig. 3

S-76 & S-79 Clip Alignment Groove

7. Slide one jamb over to sill and use a square for a 90° at corner. Install clip as needed. (see Fig. 1) Clip must set flat in groove. (Fig. 3)
8. Repeat at head.
9. Locate and install vertical mullion and secure top and bottom with S-79 mullion clips. (see Fig. 1)
10. If included, now install horizontal mullions. Use square at jambs to have a 90° and attach both ends with S-79 mullion clips.
11. Set glass.
12. Install snap on stop.
13. Roll in vinyl.
14. Snap on trim.

**Special Note: Installing Mullion (Horizontal or Vertical)**  
 Mullion clips (S-79) are supplied. Hold end of clip 1/8" back from edge of trim retainer so trim can be installed continuously without notching. (Fig. 4)

**CLEANING:** If necessary to clean the aluminum, use water with a mild detergent. No abrasive agents should be used.

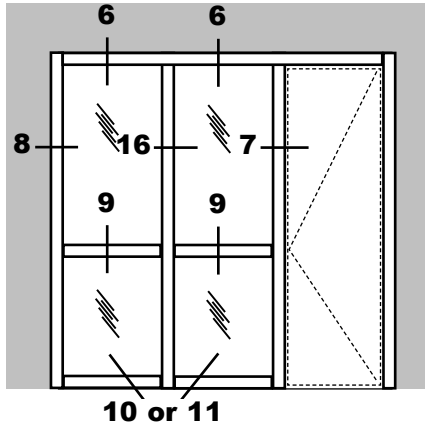
**FASTENING:** Corner Clips (S-76) - 4 per frame - 3 sided, 8 per frame - 4 sided. Use 1-1/2" #6 drywall screws. (4 per clip.)

**FASTENING DOOR FRAME:** Use 1-1/2" drywall screws. Screw 2" from each end - 12" o.c. minimum.



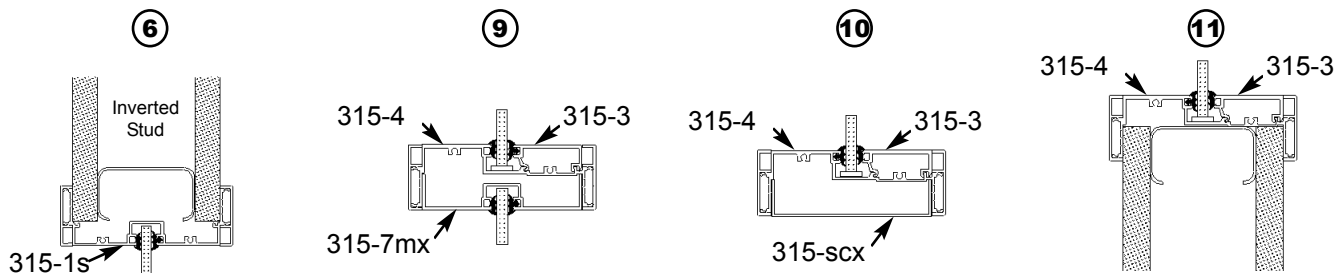
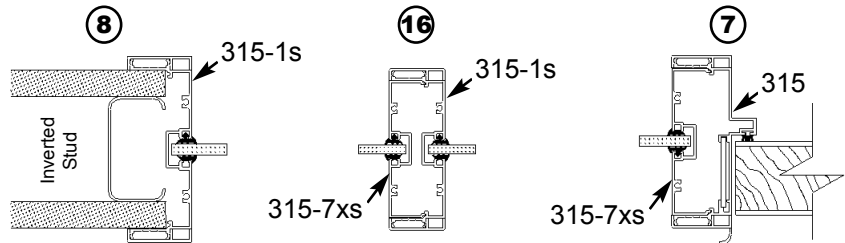
# Western Integrated Materials, Inc.

## Full Height to Drywall Sidelight Installation Instructions using the Western Integrated SCREW RACE system.

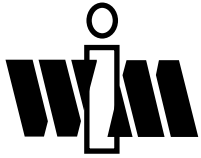


(Material supplied cut to a nominal length)

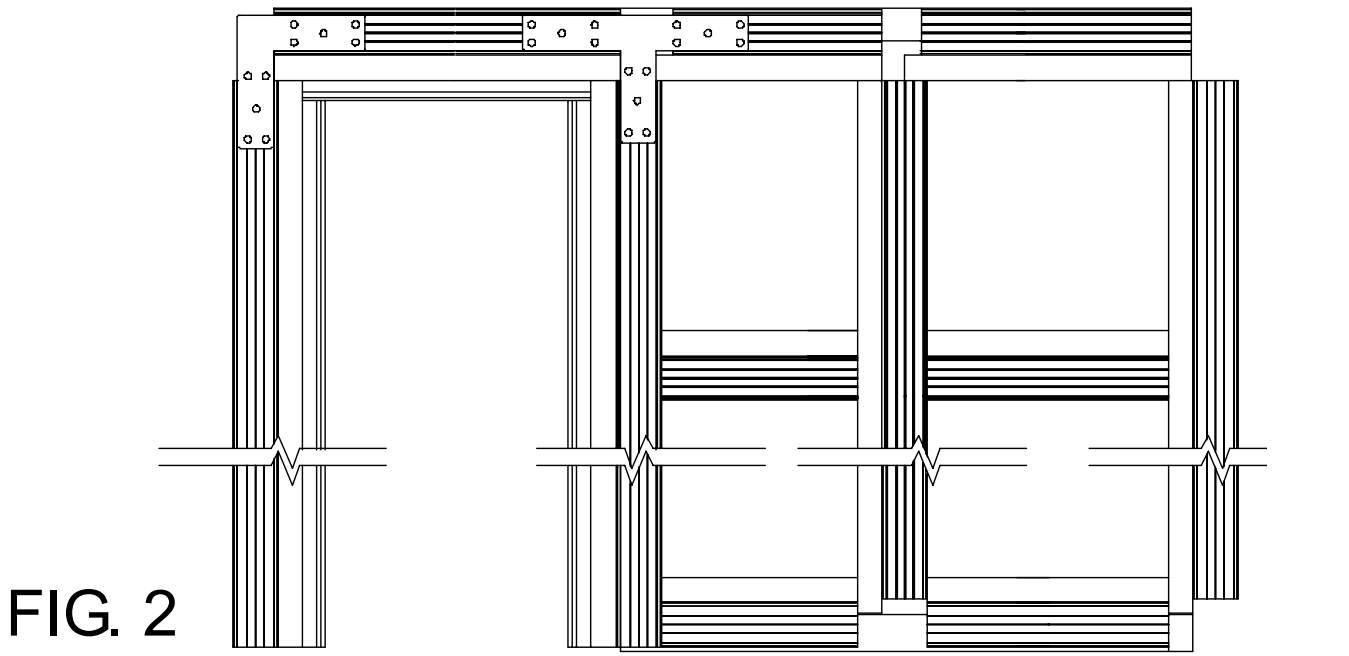
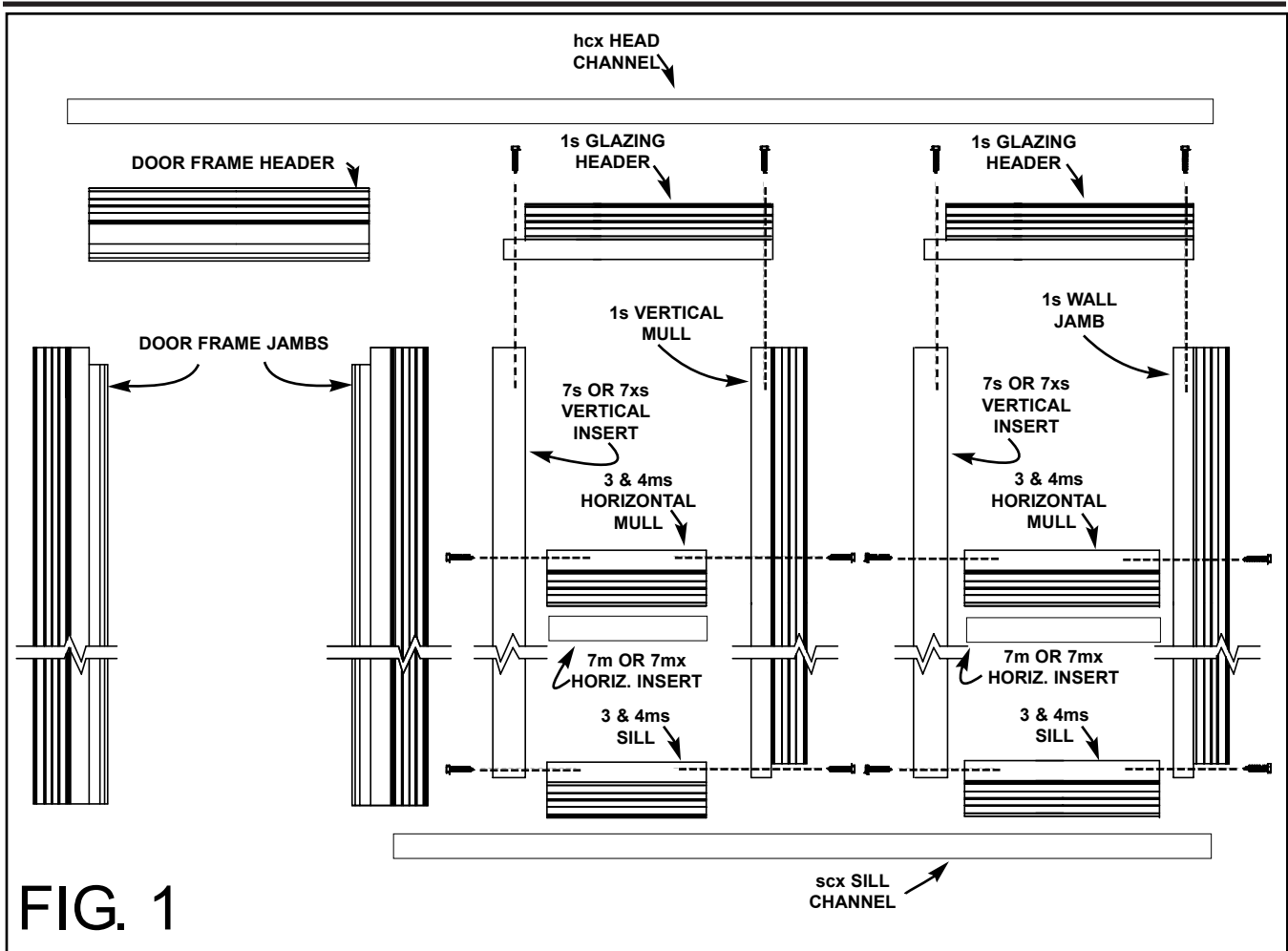
**Special Note:** The stud at details 6 and 8 must be inverted so that the glass pocket will clear.



1. Install sill channel (scx) to floor leaving the channel 3/4" long into the strike jamb. Shim sill channel if floor deflection is more than 3/8". Use positive anchor at the strike jamb.
2. Cut nominal length glass material to size: First, determine window DLO (Daylight Opening) sizes.  
 $DLO \text{ Height} = RO \text{ (Rough Opening) Height} - 3/4" - \text{Sill Height.}$   
 $DLO \text{ Width} = RO \text{ Width} - 1 1/2" - \text{Door Opening Size} - \text{Vertical Mull Width(s) / Window Quantity.}$   
 Cut vertical mull(s) (if any) and wall jamb and vertical insert(s) (if any), (do not cut 4-hole punched end), to  $DLO \text{ Height} + 3/4"$ .  
 Cut Base and Horizontal mull(s) (if any) to DLO Width. Cut Glazing Header(s), (do not cut 2-hole punched end), to  $DLO \text{ Width} + 1"$ . Drill 2 holes in cut end of Glazing Header(s) using supplied template.
3. If using Horizontal Mull(s): Determine location of top of mull on verticals and mark a line 1/4" above this point. Align supplied template to this line and drill holes as required. Note: you will be using a 4-hole pattern but only need to drill opposite corners as needed to align with Horizontal Mull Base. Assemble Horizontal Mull Insert to Horizontal Mull Base.
4. If overall width of each individual preassembled window is equal to or less than door opening size, then preassemble window (see fig. 1) on the floor and install in door opening side and slide unit over the sill channel to the proper location. Continue till all windows are in place.
5. If overall width of each individual preassembled window is greater than the door opening size then assemble window header and horizontal mulls, if any, to verticals and cam window into opening leaving room to screw base on in the opening. Install base and slide unit over into place. Continue with remaining windows.
6. K D door frame into opening and plum level and square frame. Attach to wall and pin bottom of strike jamb to sill channel. Attach corner clips at top. (see fig. 1)
7. Pull sidelight units back to strike jamb, level at the top and screw to strike jamb. Attach "T"-clip at top of strike (see fig. 2)Continue if multiple sidelights.



# Western Integrated Materials, Inc.

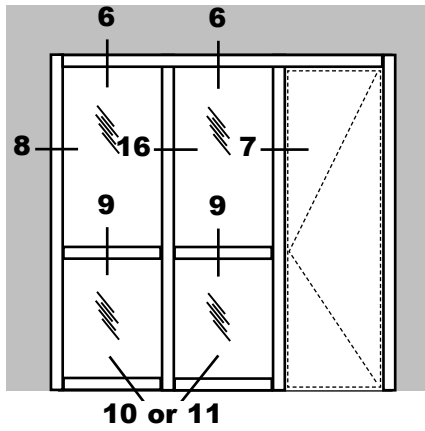




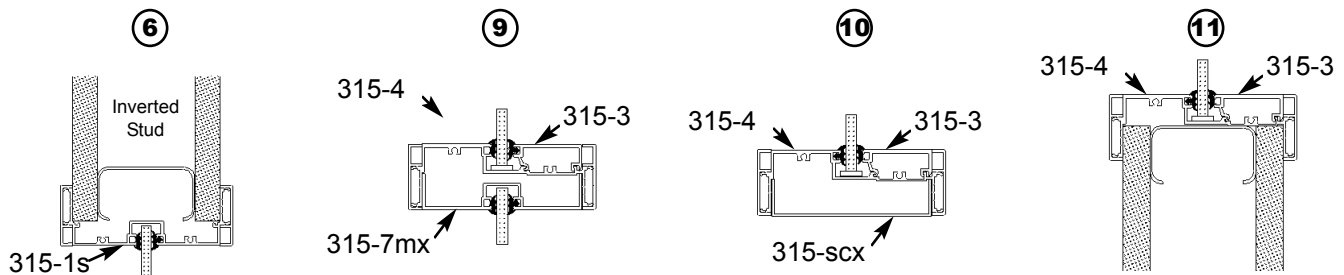
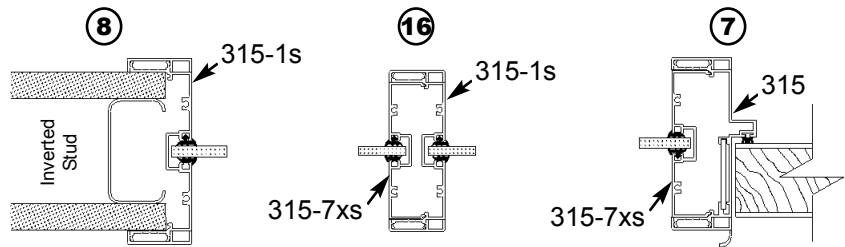
# Western Integrated Materials, Inc.

## Full Height to Drywall Sidelight Installation Instructions using the Western Integrated SCREW RACE system.

(Material supplied cut to exact length)



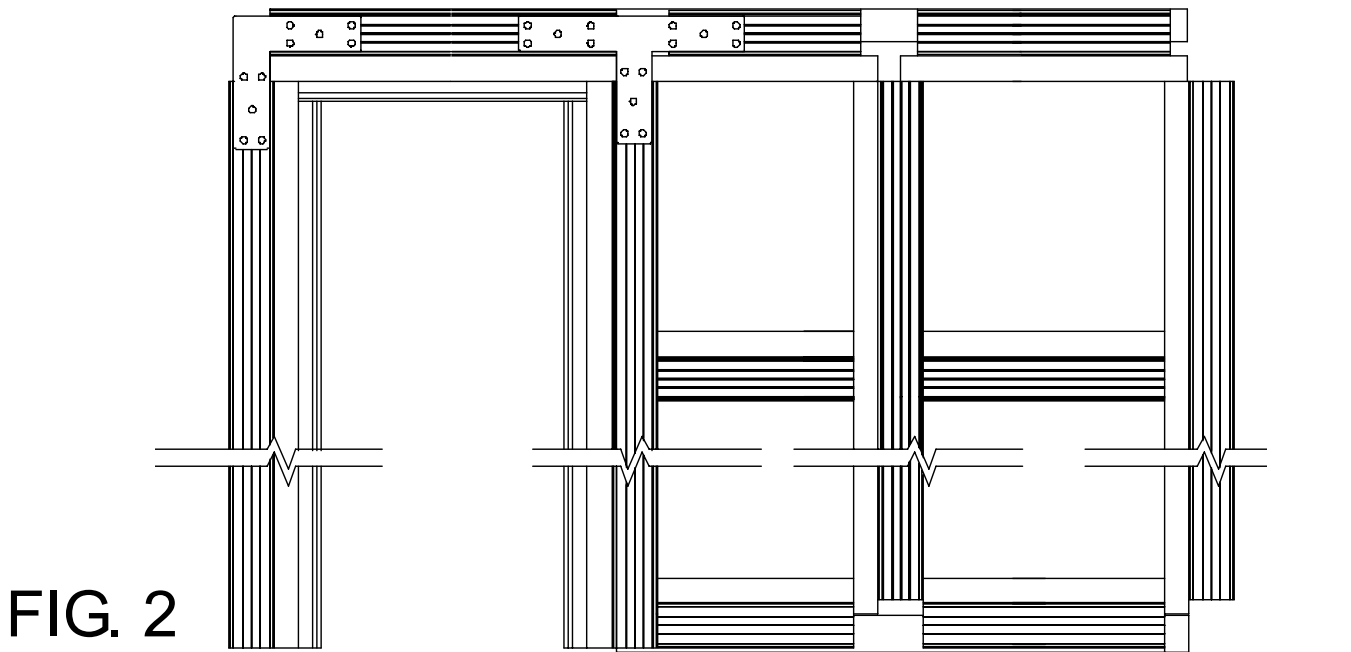
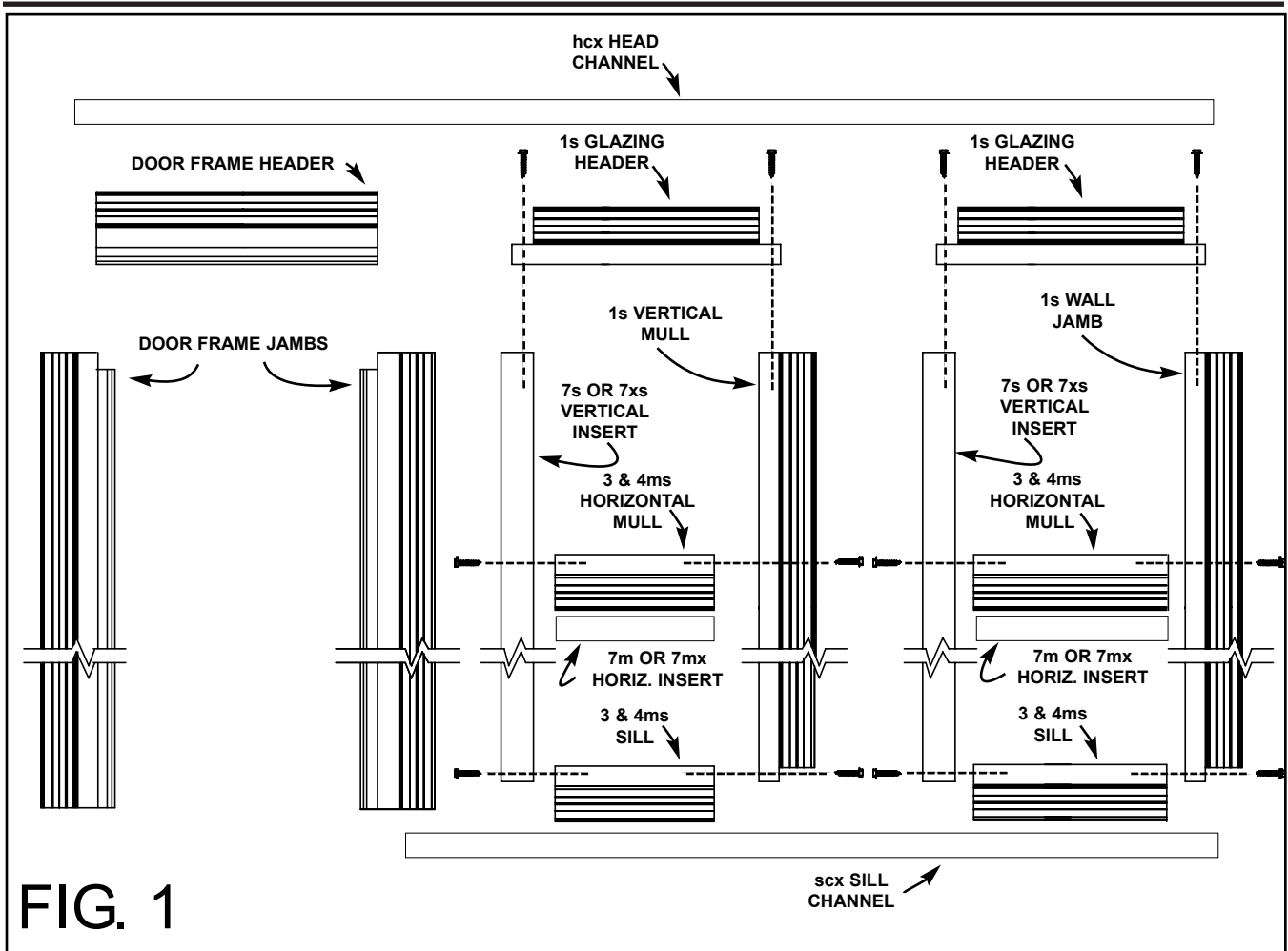
**Special Note:** The stud at details 6 and 8 must be inverted so that the glass pocket will clear.



1. Install sill channel (scx) to floor leaving the channel 3/4" long into the strike jamb. Shim sill channel if floor deflection is more than 3/8". Use positive anchor at the strike jamb.
2. If using Horizontal Mulls: Determine location of top of mull on verticals and mark a line 1/4" above this point. Align supplied template to this line and drill holes as required. Note: you will be using a 4-hole pattern but only need to drill opposite corners as needed to align with Horizontal Mull Base. Assemble Horizontal Mull Insert to Horizontal Mull Base.
3. If overall width of each individual preassembled window is equal to or less than door opening size, then preassemble window (see fig. 1) on the floor and install in door opening side and slide unit over the sill channel to the proper location. Continue until all windows are in place.
4. If overall width of each individual preassembled window is greater than the door opening size then assemble window header and horizontal mulls, if any, to verticals and cam window into opening leaving room to screw base on in the opening. Install base and slide unit over into place. Continue with remaining windows.
5. K D door frame into opening and plum level and square frame. Attach to wall and pin bottom of strike jamb to sill channel. Attach corner clips at top. (see fig. 1)
6. Pull sidelight units back to strike jamb, level at the top and screw to strike jamb. Attach "T"-clip at top of strike (see fig. 2) Continue if multiple sidelights.



# Western Integrated Materials, Inc.



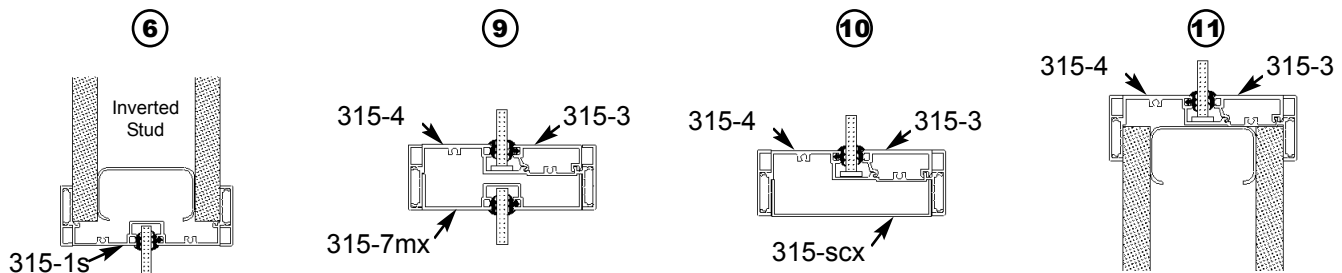
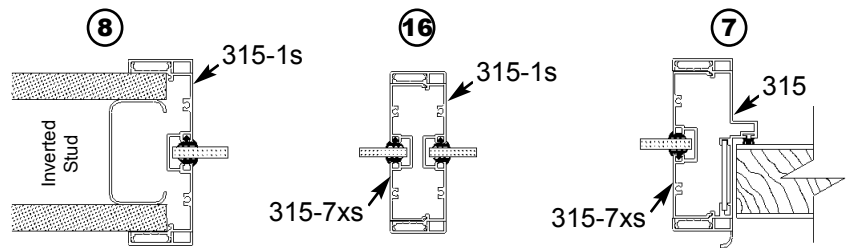
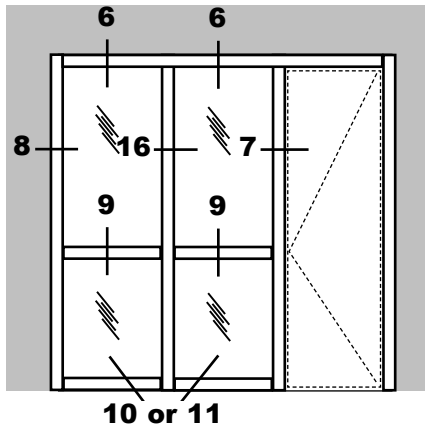


# Western Integrated Materials, Inc.

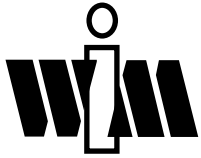
## Full Height to Drywall Sidelight Installation Instructions using the Western Integrated SCREW RACE system.

(Material supplied horizontal cut to exact length and verticals cut to nominal length)

**Special Note:** The stud at details 6 and 8 must be inverted so that the glass pocket will clear.



1. Install sill channel (scx) to floor leaving the channel 3/4" long into the strike jamb. Shim sill channel if floor deflection is more than 3/8". Use positive anchor at the strike jamb.
2. Cut nominal length vertical glass material to size: First, determine window DLO (Daylight Opening) sizes.  $DLO \text{ Height} = RO \text{ (Rough Opening) Height} - 3/4" - \text{Sill Height}$ .  
  
Cut vertical mull(s) (if any) and wall jamb and vertical inserts, (do not cut 4-hole punched end), to  $DLO \text{ Height} + 3/4"$ .
3. If using Horizontal Mulls: Determine location of top of mull on verticals and mark a line 1/4" above this point. Align supplied template to this line and drill holes as required. Note: you will be using a 4-hole pattern but only need to drill opposite corners as needed to align with Horizontal Mull Base. Assemble Horizontal Mull Insert to Horizontal Mull Base.
4. If overall width of each individual preassembled window is equal to or less than door opening size, then preassemble window (see fig. 1) on the floor and install in door opening side and slide unit over the sill channel to the proper location. Continue till all windows are in place.
5. If overall width of each individual preassembled window is greater than the door opening size then assemble window header and horizontal mulls, if any, to verticals and cam window into opening leaving room to screw base on in the opening. Install base and slide unit over into place. Continue with remaining windows.
6. K D door frame into opening and plum level and square frame. Attach to wall and pin bottom of strike jamb to sill channel. Attach corner clips at top. (see fig. 1)
7. Pull sidelight units back to strike jamb, level at the top and screw to strike jamb. Attach "T"-clip at top of strike (see fig. 2) Continue if multiple sidelights.



# Western Integrated Materials, Inc.

